

1. E9H08 | What is the function of a sense antenna?

- A. It modifies the pattern of a DF antenna array to provide a null in one direction
- B. It provides diversity reception that cancels multipath signals
- C. It increases the sensitivity of a DF antenna array
- D. It allows DF antennas to receive signals at different vertical angles

2. E2C01 | Which of the following is true about contest operating?

- A. Operators are permitted to make contacts even if they do not submit a log
- B. Every contest requires a signal report in the exchange
- C. It is mandatory to transmit the call sign of the station being worked as part of every transmission to that station
- D. Interference to other amateurs is unavoidable and therefore acceptable

3. E2D02 | What is the definition of "baud"?

- A. The number of characters transmitted per second
- B. The number of characters transmitted per minute
- C. The number of words transmitted per minute
- D. The number of data symbols transmitted per second

4. E7A01 | What is a bistable circuit?

- A. A clock
- B. An "AND" gate
- C. An "OR" gate
- D. A flip-flop

5. E8C11 | What spread-spectrum communications technique alters the center frequency of a conventional carrier many times per second in accordance with a pseudo-random list of channels?

- A. Frequency companded spread-spectrum
- B. Frequency hopping
- C. Time-domain frequency modulation
- D. Direct sequence

6. E3C06 | How much farther does the VHF/UHF radio-path horizon distance exceed the geometric horizon?

- A. By approximately 15% of the distance
- B. By approximately twice the distance
- C. By approximately one-half the distance
- D. By approximately four times the distance

7. E1E06 | What is a VE team?

- A. One or two VEs who administer examinations for an amateur operator license
- B. The VEC staff
- C. A group of FCC Volunteer Enforcers who investigate Amateur Rules violations
- D. A group of at least three VEs who administer examinations for an amateur operator license

8. E9D06 | Why should an HF mobile antenna loading coil have a high ratio of reactance to resistance?

- A. To maximize losses
- B. To minimize the Q
- C. To minimize losses
- D. To swamp out harmonics

9. E2B15 | What signals SSTV receiving equipment to begin a new picture line?

- A. Specific tone amplitudes
- B. A two-tone signal
- C. Specific tone frequencies
- D. Elapsed time

10. E4D07 | Which of the following describes the most significant effect of an off-frequency signal when it is causing cross-modulation interference to a desired signal?

- A. The off-frequency unwanted signal is heard in addition to the desired signal
- B. A large increase in background noise
- C. The desired signal can no longer be heard
- D. A reduction in apparent signal strength

11. E4E09 | What undesirable effect can occur when using an IF type noise blanker?

- A. Nearby signals may appear to be excessively wide even if they meet emission standards
- B. The audio frequency bandwidth of the received signal might be compressed
- C. FM signals can no longer be demodulated
- D. Received audio in the speech range might have an echo effect

12. E8B06 | What is the deviation ratio of an FM-phone signal having a maximum frequency swing of plus or minus 7.5 kHz and accepting a maximum modulation frequency of 3.5 kHz?

- A. 0.214
- B. 2.14
- C. 47
- D. 0.47

13. E3B03 | What is the best time of day for transequatorial propagation?

- A. Noon
- B. Morning
- C. Late at night
- D. Afternoon or early evening

14. E5C11 | What do the two numbers represent that are used to define a point on a graph using rectangular coordinates?

- A. The magnitude and phase of the point
- B. The coordinate values along the horizontal and vertical axes
- C. The sine and cosine values
- D. The tangent and cotangent values

15. E1F08 | What is the National Radio Quiet Zone?

- A. An area in Florida surrounding Cape Canaveral
- B. An area in New Mexico surrounding the White Sands Test Area
- C. An area surrounding the National Radio Astronomy Observatory
- D. An area in Puerto Rico surrounding the Aricebo Radio Telescope

16. E6C05 | Which of the following is an advantage of CMOS logic devices over TTL devices?

- A. Differential output capability
- B. Lower distortion
- C. Lower power consumption
- D. Immune to damage from static discharge

17. E7C07 | What kind of audio filter would you use to attenuate an interfering carrier signal while receiving an SSB transmission?

- A. A band-pass filter
- B. An all-pass filter
- C. A Pi-network filter
- D. A notch filter

18. E9B07 | If the boom of a Yagi antenna is lengthened and the elements are properly retuned, what usually occurs?

- A. The gain bandwidth decreases rapidly
- B. The SWR decreases
- C. The front-to-back ratio increases
- D. The gain increases

19. E8D09 | What is meant by circularly polarized electromagnetic waves?

- A. Waves with an electric field bent into a circular shape
- B. Waves that circle the Earth
- C. Waves produced by a loop antenna
- D. Waves with a rotating electric field

20. E1D10 | Which amateur stations are eligible to be telecommand stations?

- A. Any amateur station designated by NASA
- B. Any amateur station so designated by the space station licensee
- C. Any amateur station so designated by the ITU
- D. All of these choices are correct

21. E5A11 | What is the half-power bandwidth of a parallel resonant circuit that has a resonant frequency of 7.1 MHz and a Q of 150?

- A. 23.67 kHz
- B. 315.6 Hz
- C. 47.3 kHz
- D. 157.8 Hz

22. E0A10 | What material found in some electronic components such as high-voltage capacitors and transformers is considered toxic?

- A. Polychlorinated biphenyls
- B. Polymorphic silicon
- C. Polyethylene
- D. Polytetrafluoroethylene

23. E9E03 | What is the name of the matching system that uses a short perpendicular section of transmission line connected to the feed line near the antenna?

- A. The delta match
- B. The omega match
- C. The gamma match
- D. The stub match

24. E6D15 | What type of CRT deflection is better when high-frequency waves are to be displayed on the screen?

- A. Radar
- B. Electrostatic
- C. Electromagnetic
- D. Tubular

25. E5D15 | What is reactive power?

- A. Power consumed in circuit Q
- B. Power lost because of capacitor leakage
- C. Power consumed in wire resistance in an inductor
- D. Wattless, nonproductive power

26. E1A03 | With your transceiver displaying the carrier frequency of phone signals, you hear a DX station's CQ on 14.349 MHz USB. Is it legal to return the call using upper sideband on the same frequency?

- A. Yes, because the displayed frequency is within the 20 meter band
- B. Yes, because the DX station initiated the contact
- C. No, my sidebands will extend beyond the band edge
- D. No, USA stations are not permitted to use phone emissions above 14.340 MHz

27. E3A10 | Which range of frequencies is well suited for meteor-scatter communications?

- A. 220 - 450 MHz
- B. 28 - 148 MHz
- C. 1.8 - 1.9 MHz
- D. 10 - 14 MHz

28. E6B09 | Which of the following describes a type of semiconductor diode?

- A. CMOS-field effect
- B. Metal-semiconductor junction
- C. Thermionic emission diode
- D. Electrolytic rectifier

29. E7D16 | When several electrolytic filter capacitors are connected in series to increase the operating voltage of a power supply filter circuit, why should resistors be connected across each capacitor?

- A. To equalize, as much as possible, the voltage drop across each capacitor
- B. To provide a minimum load current to reduce voltage excursions at light loads
- C. To provide a safety bleeder to discharge the capacitors when the supply is off
- D. All of these answers are correct

30. E9A07 | What is included in the total resistance of an antenna system?

- A. Radiation resistance plus space impedance
- B. Transmission-line resistance plus radiation resistance
- C. Radiation resistance plus transmission resistance
- D. Radiation resistance plus ohmic resistance

31. E1B04 | What must be done before placing an amateur station within an officially designated wilderness area or wildlife preserve, or an area listed in the National Register of Historical Places?

- A. A form FSD-15 must be submitted to the Department of the Interior
- B. A proposal must be submitted to the National Park Service
- C. A letter of intent must be filed with the National Audubon Society
- D. An Environmental Assessment must be submitted to the FCC

32. E6F12 | Which of the following types of photovoltaic cell has the highest efficiency?

- A. Silver iodide
- B. Gallium arsenide
- C. Silicon
- D. Selenium

33. E7G08 | D Which of the following is a type of active op-amp filter circuit?

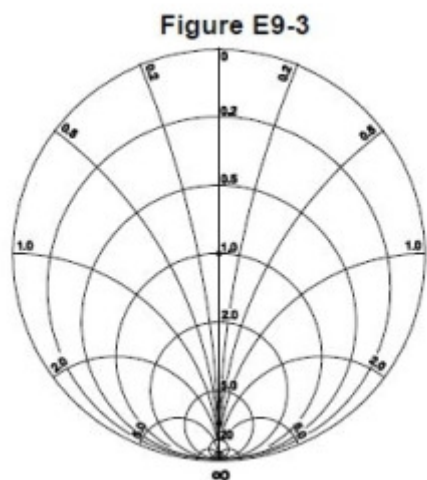
- A. Helical resonator
- B. Gilbert cell
- C. Sallen-Key
- D. Regenerative feedback resonator

34. E1C05 | When may an automatically controlled station originate third party communications?

- A. When approved by the National Telecommunication and Information Administration
- B. Never
- C. Only when transmitting an RTTY or data emissions
- D. When specifically agreed upon by the sending and receiving stations

35. E9G06 | On the Smith chart shown in Figure E9-3, what is the name for the large outer circle on which the reactance arcs terminate?

- A. Prime axis
- B. Polar axis
- C. Impedance axis
- D. Reactance axis



36. E2A07 | Which of the following types of signals can be relayed through a linear transponder?

- A. All these answers are correct
- B. PSK and Packet
- C. SSB and SSTV
- D. FM and CW

37. E7E03 | What is the fundamental principle of a phase modulator?

- A. It varies the tuning of a microphone preamplifier to produce AM signals
- B. It varies the tuning of an amplifier tank circuit to produce PM signals
- C. It varies the tuning of a microphone preamplifier to produce PM signals
- D. It varies the tuning of an amplifier tank circuit to produce AM signals

38. E4B03 | What is an advantage of using a bridge circuit to measure impedance?

- A. It is relatively immune to drift in the signal generator source
- B. The measurement is based on obtaining a null in voltage, which can be done very precisely
- C. It provides an excellent match under all conditions
- D. It can display results directly in Smith chart format

39. E5B04 | What is the time constant of a circuit having two 220-microfarad capacitors and two 1-megohm resistors all in parallel?

- A. 440 seconds
- B. 110 seconds
- C. 220 seconds
- D. 55 seconds

40. E6E02 | Which of these filter bandwidths would be a good choice for use with standard double-sideband AM transmissions?

- A. 500 Hz at -6 dB
- B. 15 kHz at -6 dB
- C. 1 kHz at -6 dB
- D. 6 kHz at -6 dB

41. E4A10 | Which of the following is a useful test for a functioning NPN transistor in an active circuit where the transistor should be biased "on" ?

- A. Measure base-to-emitter resistance with an ohmmeter; it should be approximately 6 to 7 ohms
- B. Measure base-to-emitter voltage with a voltmeter; it should be approximately 0.6 to 0.7 volts
- C. Measure base-to-emitter voltage with a voltmeter; it should be approximately 6 to 7 volts
- D. Measure base-to-emitter resistance with an ohmmeter; it should be approximately 0.6 to 0.7 ohms

42. E4C14 | Which of these choices is a desirable amount of selectivity for an amateur VHF FM receiver?

- A. 2.4 kHz
- B. 15 kHz
- C. 1 kHz
- D. 4.2 kHz

43. E7F03 | What is the function of a decade counter digital IC?

- A. It adds two decimal numbers together
- B. It produces one output pulse for every ten input pulses
- C. It decodes a decimal number for display on a seven-segment LED display
- D. It produces ten output pulses for every input pulse

44. E9F14 | What kind of impedance does a 1/2-wavelength transmission line present to a generator when the line is shorted at the far end?

- A. The same as the output impedance of the generator
- B. A very low impedance
- C. The same as the characteristic impedance of the line
- D. A very high impedance

45. E6A05 | What is the alpha of a bipolar junction transistor?

- A. The change of base current with respect to collector current
- B. The change of collector current with respect to gate current
- C. The change of collector current with respect to base current
- D. The change of collector current with respect to emitter current

46. E7H13 | Which of these circuits would be classified as a principal component of a direct digital synthesizer (DDS)?

- A. Chroma demodulator
- B. Phase splitter
- C. Phase accumulator
- D. Hex inverter

47. E8A08 | What is the period of a wave?

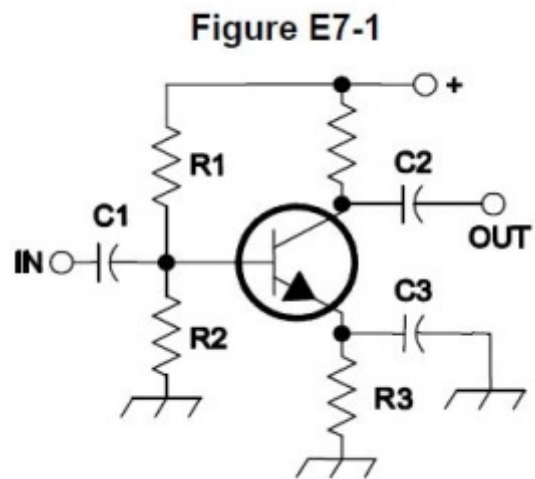
- A. The number of degrees in one cycle
- B. The amplitude of the wave
- C. The number of zero crossings in one cycle
- D. The time required to complete one cycle

48. E2E03 | How is Forward Error Correction implemented?

- A. By transmitting a special algorithm to the receiving station along with the data characters
- B. By varying the frequency shift of the transmitted signal according to a predefined algorithm
- C. By transmitting extra data that may be used to detect and correct transmission errors
- D. By the receiving station repeating each block of three data characters

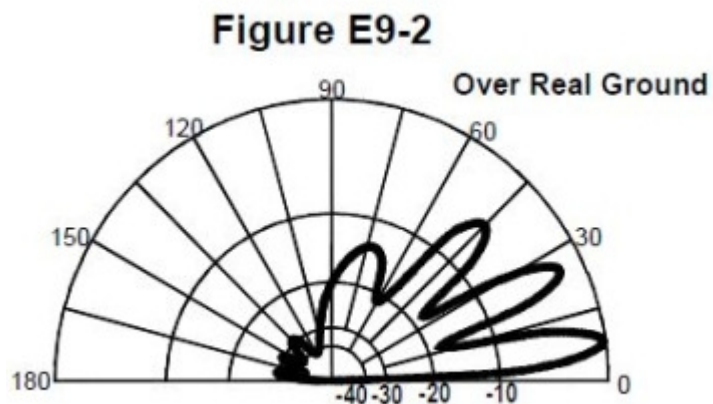
49. E7B11 | What type of circuit is shown in Figure E7-1?

- A. Switching voltage regulator
- B. Linear voltage regulator
- C. Emitter follower amplifier
- D. Common emitter amplifier



50. E9C11 | How many elevation lobes appear in the forward direction of the antenna radiation pattern shown in Figure E9-2?

- A. 4
- B. 7
- C. 3
- D. 1



1. E9H08 | What is the function of a sense antenna?

- A. It modifies the pattern of a DF antenna array to provide a null in one direction**
- B. It provides diversity reception that cancels multipath signals
- C. It increases the sensitivity of a DF antenna array
- D. It allows DF antennas to receive signals at different vertical angles

2. E2C01 | Which of the following is true about contest operating?

- A. Operators are permitted to make contacts even if they do not submit a log**
- B. Every contest requires a signal report in the exchange
- C. It is mandatory to transmit the call sign of the station being worked as part of every transmission to that station
- D. Interference to other amateurs is unavoidable and therefore acceptable

3. E2D02 | What is the definition of "baud"?

- A. The number of characters transmitted per second
- B. The number of characters transmitted per minute
- C. The number of words transmitted per minute
- D. The number of data symbols transmitted per second**

4. E7A01 | What is a bistable circuit?

- A. A clock
- B. An "AND" gate
- C. An "OR" gate
- D. A flip-flop**

5. E8C11 | What spread-spectrum communications technique alters the center frequency of a conventional carrier many times per second in accordance with a pseudo-random list of channels?

- A. Frequency companded spread-spectrum
- B. Frequency hopping**
- C. Time-domain frequency modulation
- D. Direct sequence

6. E3C06 | How much farther does the VHF/UHF radio-path horizon distance exceed the geometric horizon?

- A. By approximately 15% of the distance**
- B. By approximately twice the distance
- C. By approximately one-half the distance
- D. By approximately four times the distance

7. E1E06 | What is a VE team?

- A. One or two VEs who administer examinations for an amateur operator license
- B. The VEC staff
- C. A group of FCC Volunteer Enforcers who investigate Amateur Rules violations
- D. A group of at least three VEs who administer examinations for an amateur operator license**

8. E9D06 | Why should an HF mobile antenna loading coil have a high ratio of reactance to resistance?

- A. To maximize losses
- B. To minimize the Q
- C. To minimize losses**
- D. To swamp out harmonics

9. E2B15 | What signals SSTV receiving equipment to begin a new picture line?

- A. Specific tone amplitudes
- B. A two-tone signal
- C. Specific tone frequencies**
- D. Elapsed time

10. E4D07 | Which of the following describes the most significant effect of an off-frequency signal when it is causing cross-modulation interference to a desired signal?

- A. The off-frequency unwanted signal is heard in addition to the desired signal**
- B. A large increase in background noise
- C. The desired signal can no longer be heard
- D. A reduction in apparent signal strength

11. E4E09 | What undesirable effect can occur when using an IF type noise blanker?

- A. Nearby signals may appear to be excessively wide even if they meet emission standards**
- B. The audio frequency bandwidth of the received signal might be compressed
- C. FM signals can no longer be demodulated
- D. Received audio in the speech range might have an echo effect

12. E8B06 | What is the deviation ratio of an FM-phone signal having a maximum frequency swing of plus or minus 7.5 kHz and accepting a maximum modulation frequency of 3.5 kHz?

- A. 0.214
- B. 2.14
- C. 47
- D. 0.47

13. E3B03 | What is the best time of day for transequatorial propagation?

- A. Noon
- B. Morning
- C. Late at night
- D. Afternoon or early evening**

14. E5C11 | What do the two numbers represent that are used to define a point on a graph using rectangular coordinates?

- A. The magnitude and phase of the point
- B. The coordinate values along the horizontal and vertical axes**
- C. The sine and cosine values
- D. The tangent and cotangent values

15. E1F08 | What is the National Radio Quiet Zone?

- A. An area in Florida surrounding Cape Canaveral
- B. An area in New Mexico surrounding the White Sands Test Area
- C. An area surrounding the National Radio Astronomy Observatory
- D. An area in Puerto Rico surrounding the Aricebo Radio Telescope

16. E6C05 | Which of the following is an advantage of CMOS logic devices over TTL devices?

- A. Differential output capability
- B. Lower distortion
- C. Lower power consumption**
- D. Immune to damage from static discharge

17. E7C07 | What kind of audio filter would you use to attenuate an interfering carrier signal while receiving an SSB transmission?

- A. A band-pass filter
- B. An all-pass filter
- C. A Pi-network filter
- D. A notch filter**

18. E9B07 | If the boom of a Yagi antenna is lengthened and the elements are properly retuned, what usually occurs?

- A. The gain bandwidth decreases rapidly
- B. The SWR decreases
- C. The front-to-back ratio increases
- D. The gain increases**

19. E8D09 | What is meant by circularly polarized electromagnetic waves?

- A. Waves with an electric field bent into a circular shape
- B. Waves that circle the Earth
- C. Waves produced by a loop antenna
- D. Waves with a rotating electric field**

20. E1D10 | Which amateur stations are eligible to be telecommand stations?

- A. Any amateur station designated by NASA
- B. Any amateur station so designated by the space station licensee**
- C. Any amateur station so designated by the ITU
- D. All of these choices are correct

21. E5A11 | What is the half-power bandwidth of a parallel resonant circuit that has a resonant frequency of 7.1 MHz and a Q of 150?

- A. 23.67 kHz
- B. 315.6 Hz
- C. 47.3 kHz
- D. 157.8 Hz

22. E0A10 | What material found in some electronic components such as high-voltage capacitors and transformers is considered toxic?

- A. Polychlorinated biphenyls**
- B. Polymorphic silicon
- C. Polyethylene
- D. Polytetrafluoroethylene

23. E9E03 | What is the name of the matching system that uses a short perpendicular section of transmission line connected to the feed line near the antenna?

- A. The delta match
- B. The omega match
- C. The gamma match
- D. The stub match**

24. E6D15 | What type of CRT deflection is better when high-frequency waves are to be displayed on the screen?

- A. Radar
- B. Electrostatic**
- C. Electromagnetic
- D. Tubular

25. E5D15 | What is reactive power?

- A. Power consumed in circuit Q
- B. Power lost because of capacitor leakage
- C. Power consumed in wire resistance in an inductor
- D. Wattless, nonproductive power**

26. E1A03 | With your transceiver displaying the carrier frequency of phone signals, you hear a DX station's CQ on 14.349 MHz USB. Is it legal to return the call using upper sideband on the same frequency?

- A. Yes, because the displayed frequency is within the 20 meter band
- B. Yes, because the DX station initiated the contact
- C. No, my sidebands will extend beyond the band edge**
- D. No, USA stations are not permitted to use phone emissions above 14.340 MHz

27. E3A10 | Which range of frequencies is well suited for meteor-scatter communications?

- A. 220 - 450 MHz
- B. 28 - 148 MHz**
- C. 1.8 - 1.9 MHz
- D. 10 - 14 MHz

28. E6B09 | Which of the following describes a type of semiconductor diode?

- A. CMOS-field effect
- B. Metal-semiconductor junction**
- C. Thermionic emission diode
- D. Electrolytic rectifier

29. E7D16 | When several electrolytic filter capacitors are connected in series to increase the operating voltage of a power supply filter circuit, why should resistors be connected across each capacitor?

- A. To equalize, as much as possible, the voltage drop across each capacitor
- B. To provide a minimum load current to reduce voltage excursions at light loads
- C. To provide a safety bleeder to discharge the capacitors when the supply is off
- D. All of these answers are correct**

30. E9A07 | What is included in the total resistance of an antenna system?

- A. Radiation resistance plus space impedance
- B. Transmission-line resistance plus radiation resistance
- C. Radiation resistance plus transmission resistance
- D. Radiation resistance plus ohmic resistance**

31. E1B04 | What must be done before placing an amateur station within an officially designated wilderness area or wildlife preserve, or an area listed in the National Register of Historical Places?

- A. A form FSD-15 must be submitted to the Department of the Interior
- B. A proposal must be submitted to the National Park Service
- C. A letter of intent must be filed with the National Audubon Society
- D. An Environmental Assessment must be submitted to the FCC**

32. E6F12 | Which of the following types of photovoltaic cell has the highest efficiency?

- A. Silver iodide
- B. Gallium arsenide**
- C. Silicon
- D. Selenium

33. E7G08 | D Which of the following is a type of active op-amp filter circuit?

- A. Helical resonator
- B. Gilbert cell
- C. Sallen-Key**
- D. Regenerative feedback resonator

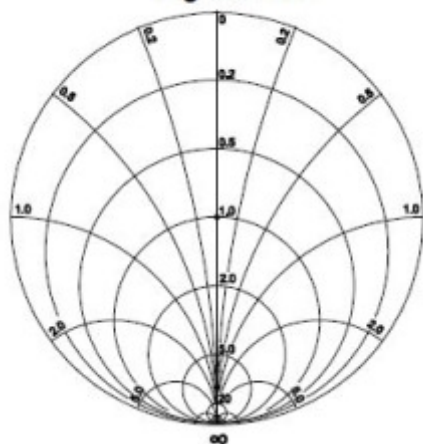
34. E1C05 | When may an automatically controlled station originate third party communications?

- A. When approved by the National Telecommunication and Information Administration
- B. Never**
- C. Only when transmitting an RTTY or data emissions
- D. When specifically agreed upon by the sending and receiving stations

35. E9G06 | On the Smith chart shown in Figure E9-3, what is the name for the large outer circle on which the reactance arcs terminate?

- A. Prime axis
- B. Polar axis
- C. Impedance axis
- D. Reactance axis

Figure E9-3



36. E2A07 | Which of the following types of signals can be relayed through a linear transponder?

- A. All these answers are correct**
- B. PSK and Packet
- C. SSB and SSTV
- D. FM and CW

37. E7E03 | What is the fundamental principle of a phase modulator?

- A. It varies the tuning of a microphone preamplifier to produce AM signals
- B. It varies the tuning of an amplifier tank circuit to produce PM signals**
- C. It varies the tuning of a microphone preamplifier to produce PM signals
- D. It varies the tuning of an amplifier tank circuit to produce AM signals

38. E4B03 | What is an advantage of using a bridge circuit to measure impedance?

- A. It is relatively immune to drift in the signal generator source
- B. The measurement is based on obtaining a null in voltage, which can be done very precisely**
- C. It provides an excellent match under all conditions
- D. It can display results directly in Smith chart format

39. E5B04 | What is the time constant of a circuit having two 220-microfarad capacitors and two 1-megohm resistors all in parallel?

- A. 440 seconds
- B. 110 seconds
- C. 220 seconds
- D. 55 seconds

40. E6E02 | Which of these filter bandwidths would be a good choice for use with standard double-sideband AM transmissions?

- A. 500 Hz at -6 dB
- B. 15 kHz at -6 dB
- C. 1 kHz at -6 dB
- D. 6 kHz at -6 dB**

41. E4A10 | Which of the following is a useful test for a functioning NPN transistor in an active circuit where the transistor should be biased "on" ?

- A. Measure base-to-emitter resistance with an ohmmeter; it should be approximately 6 to 7 ohms
- B. Measure base-to-emitter voltage with a voltmeter; it should be approximately 0.6 to 0.7 volts**
- C. Measure base-to-emitter voltage with a voltmeter; it should be approximately 6 to 7 volts
- D. Measure base-to-emitter resistance with an ohmmeter; it should be approximately 0.6 to 0.7 ohms

42. E4C14 | Which of these choices is a desirable amount of selectivity for an amateur VHF FM receiver?

- A. 2.4 kHz
- B. 15 kHz**
- C. 1 kHz
- D. 4.2 kHz

43. E7F03 | What is the function of a decade counter digital IC?

- A. It adds two decimal numbers together
- B. It produces one output pulse for every ten input pulses**
- C. It decodes a decimal number for display on a seven-segment LED display
- D. It produces ten output pulses for every input pulse

44. E9F14 | What kind of impedance does a 1/2-wavelength transmission line present to a generator when the line is shorted at the far end?

- A. The same as the output impedance of the generator
- B. A very low impedance**
- C. The same as the characteristic impedance of the line
- D. A very high impedance

45. E6A05 | What is the alpha of a bipolar junction transistor?

- A. The change of base current with respect to collector current
- B. The change of collector current with respect to gate current
- C. The change of collector current with respect to base current
- D. The change of collector current with respect to emitter current**

46. E7H13 | Which of these circuits would be classified as a principal component of a direct digital synthesizer (DDS)?

- A. Chroma demodulator
- B. Phase splitter
- C. Phase accumulator**
- D. Hex inverter

47. E8A08 | What is the period of a wave?

- A. The number of degrees in one cycle
- B. The amplitude of the wave
- C. The number of zero crossings in one cycle
- D. The time required to complete one cycle**

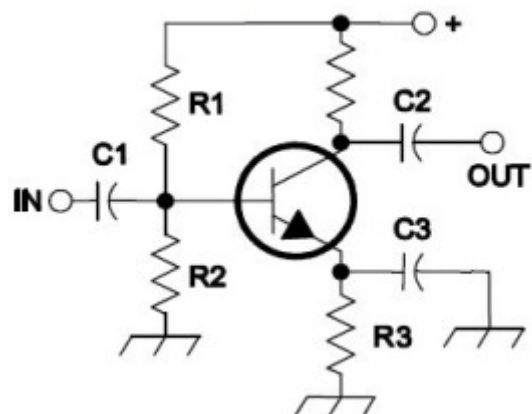
48. E2E03 | How is Forward Error Correction implemented?

- A. By transmitting a special algorithm to the receiving station along with the data characters
- B. By varying the frequency shift of the transmitted signal according to a predefined algorithm
- C. By transmitting extra data that may be used to detect and correct transmission errors**
- D. By the receiving station repeating each block of three data characters

49. E7B11 | What type of circuit is shown in Figure E7-1?

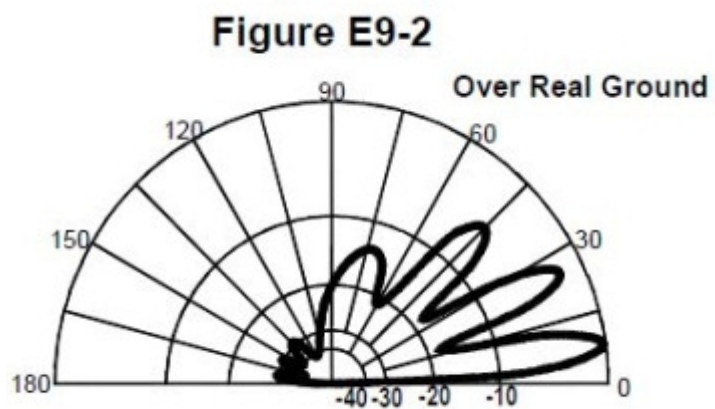
- A. Switching voltage regulator
- B. Linear voltage regulator
- C. Emitter follower amplifier
- D. Common emitter amplifier

Figure E7-1



50. E9C11 | How many elevation lobes appear in the forward direction of the antenna radiation pattern shown in Figure E9-2?

- A. 4
- B. 7
- C. 3
- D. 1



Answers

- | | |
|---------------|---------------|
| 01. A (E9H08) | 36. A (E2A07) |
| 02. A (E2C01) | 37. B (E7E03) |
| 03. D (E2D02) | 38. B (E4B03) |
| 04. D (E7A01) | 39. C (E5B04) |
| 05. B (E8C11) | 40. D (E6E02) |
| 06. A (E3C06) | 41. B (E4A10) |
| 07. D (E1E06) | 42. B (E4C14) |
| 08. C (E9D06) | 43. B (E7F03) |
| 09. C (E2B15) | 44. B (E9F14) |
| 10. A (E4D07) | 45. D (E6A05) |
| 11. A (E4E09) | 46. C (E7H13) |
| 12. B (E8B06) | 47. D (E8A08) |
| 13. D (E3B03) | 48. C (E2E03) |
| 14. B (E5C11) | 49. D (E7B11) |
| 15. C (E1F08) | 50. A (E9C11) |
| 16. C (E6C05) | |
| 17. D (E7C07) | |
| 18. D (E9B07) | |
| 19. D (E8D09) | |
| 20. B (E1D10) | |
| 21. C (E5A11) | |
| 22. A (E0A10) | |
| 23. D (E9E03) | |
| 24. B (E6D15) | |
| 25. D (E5D15) | |
| 26. C (E1A03) | |
| 27. B (E3A10) | |
| 28. B (E6B09) | |
| 29. D (E7D16) | |
| 30. D (E9A07) | |
| 31. D (E1B04) | |
| 32. B (E6F12) | |
| 33. C (E7G08) | |
| 34. B (E1C05) | |
| 35. D (E9G06) | |